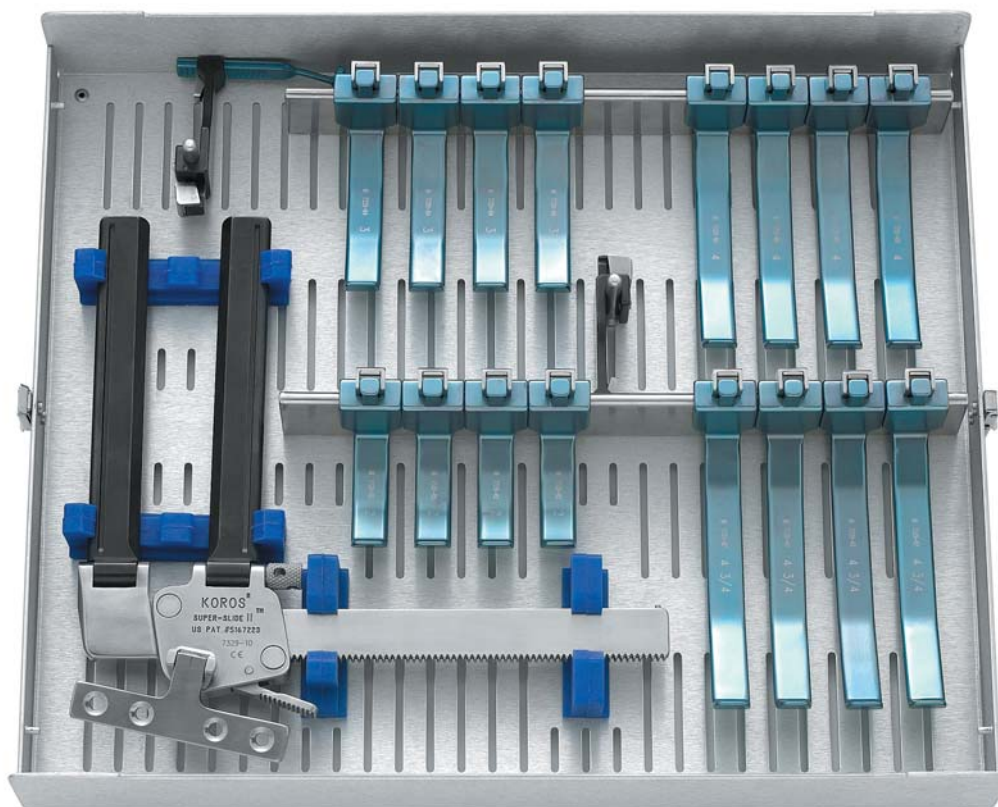


SUPER-SLIDE II LAMINECTOMY RETRACTOR SET



* Titanium Blade Set
illustrated

A powerful retractor with a selection of blade depths which can be positioned anywhere along the retractor arms. Allows excellent exposure of the spine in Pedicle Screw and Laminectomy procedures.

Super-Slide Retractor Basic Set

7329-00

Complete set consisting of:

Qty	Order Code	Description
1	7329-10	Retractor Frame
4	7329-20	Small blades 2" deep
4	7329-30	Medium blades 3" deep
4	7329-40	Large blades 4" deep
1	7329-50	Instrument container

Super-Slide Retractor Extended Set

7329-05

Includes components of
basic set plus:

Qty	Order Code	Description
4	7329-47	Supplementary blades 4 ³ / ₄ " deep
2	7329-60	Unilateral blade heads
2	7329-62	Unilateral T-blades

Titanium Super-Slide Retractor Basic Set

7329-06

Complete set consisting of:

Qty	Order Code	Description
1	7329-10	Retractor Frame
4	7329-82	Small Titanium blades 2" deep
4	7329-84	Medium Titanium blades 3" deep
4	7329-86	Large Titanium blades 4" deep
1	7329-90	Instrument container

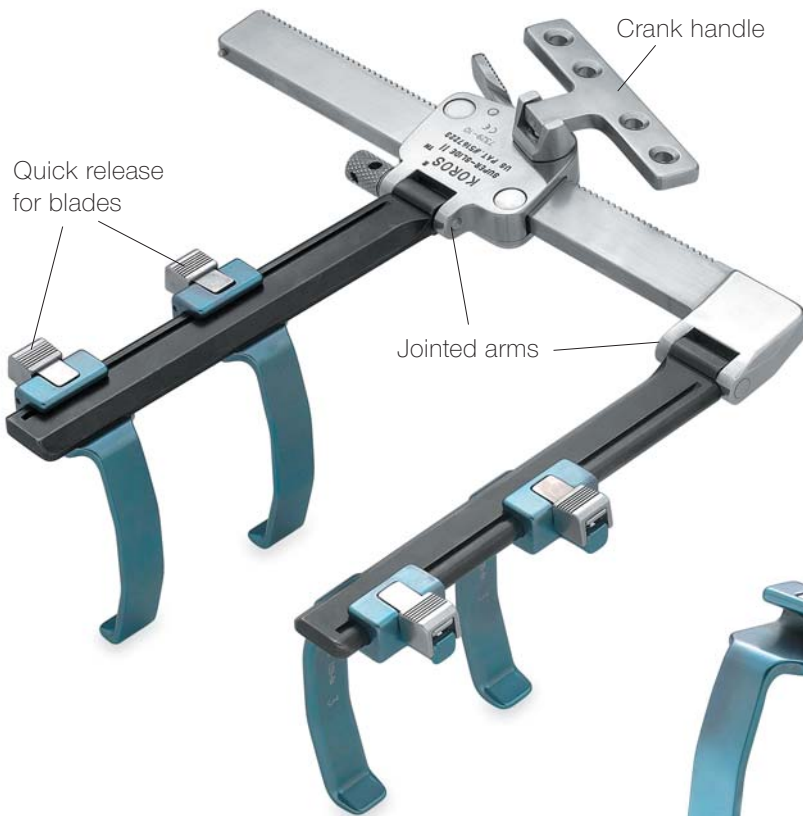
Titanium Super-Slide Retractor Extended Set

7329-09

Includes components of Titanium
basic set plus:

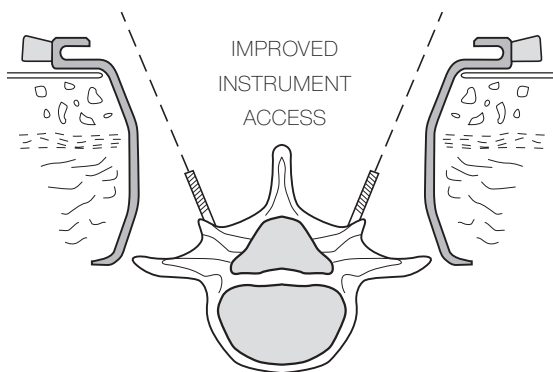
Qty	Order Code	Description
4	7329-87	Supplementary Titanium blades 4 ³ / ₄ " deep
2	7329-60	Unilateral blade heads
2	7329-62T	Unilateral Titanium T-blades

SUPER-SLIDE II LAMINECTOMY RETRACTOR SET



Super-Slide Retractor Blades

- Will not slip out of wound during surgery
- Narrow blade design minimizes potential of tissue necrosis at blade and tissue contact point
- Blades feature quick release locking system



Unilateral Blade Attachment

- Blades lock into any chosen position along the retractor arms and may be changed at any time during surgery
- Arm locks allow the surgeon the choice of either attaching to the retractor arms then placing the unit into the wound or placing the blades into the wound then engaging the frame arms
- To obtain a unilateral exposure, use the unilateral blade attachments contained in the extended set. The T-Blade is designed to attain a firm purchase on the Spinous process
- The T-Blade can be adjusted to the correct depth with the blade lock

